



*Please read and save these instructions. Read carefully before attempting to assemble, install, operate or maintain the product described. Protect yourself and others by observing all safety information. Failure to comply with instructions could result in personal injury and/or property damage in which Pumptec, Inc. will not assume any liability for! Retain instructions for future reference.*

---



# PUMP SERIES 112T | 212T

## PERFORMANCE FEATURES

- Long Life
- High-Pressure
- High-Efficiency
- Serviceability
- Durability
- Application Flexibility
- Chemical Compatibility
- Compact Design
- Enhanced Priming



Pumptec pump series 112T | 212T with plunger type design is the most efficient way possible to pressurize water. This efficiency produces up to 20% more pressure or flow for a given power input compared to competitive pumps. The series offers a variety of pump and motor combinations customized to meet specific application requirements. Typical applications include pressure cleaning, pest spraying and misting. All pumps are factory lubricated for long-life performance. The only tool to completely disassemble the pump to its basic components is a 3/16" hex wrench. Durability and performance results from exclusive use of premium materials. All metallic wetted parts are stainless steel. An aircraft-grade anodized aluminum pump with Teflon hard-coat body is nearly indestructible compared to pumps made of castings. The body offers chemical compatibility with a wide variety of chemicals. Epoxy and other coatings are available for high and low pH applications. Flow and pressure can be optimized to exactly match power input to nozzle size, and offers an assortment of eccentrics for low, medium and high pressure to match your application requirement.

**UNPACKING**

Remove all packing materials. Carefully remove the plunger pumps from the shipping carton. Inspect for any damage that may have occurred during transit. Check for any loose, missing or damaged parts.

The contents includes 1 item: PumpteC pump and motor unit assembly

**SPECIFICATIONS**

Maximum specifications refer to individual performance levels. Maximum performance ratings are maximums and may be conditional on other factors. Consult Troubleshooting section when operating near any performance maximum. Refer to individual pump data sheets for complete specifications, parts list and exploded view.

Model 112T – Simple, Single Plunger Pump

- MAX PRESSURE** ..... TO 200 PSI
- OPEN FLOW** ..... TO 1.61 GPM
- SEALS** ..... TEFLON
- O-RINGS** ..... BUNA
- INLET PORTS (2)** ..... 1/4" F NPT
- DISCHARGE PORTS (2)** ..... 1/4" F NPT
- MAX FLUID TEMP** ..... TO 140°F
- RPM (MAX)** ..... 2000
- MATERIALS OF CONSTRUCTION**
- BODY** ..... ANODIZED ALUMINUM
- PLUNGER** ..... 304 SS
- VALVES** ..... STAINLESS STEEL/ACETAL
- FASTENERS** ..... STAINLESS STEEL

Model 212T – Simple, Single Plunger Pump

- MAX PRESSURE** ..... TO 200 PSI
- OPEN FLOW** ..... TO 3.5 GPM
- SEALS** ..... TEFLON
- O-RINGS** ..... VITON
- INLET PORTS (2)** ..... 1/4" F NPT
- DISCHARGE PORTS (2)** ..... 1/4" F NPT
- MAX FLUID TEMP** ..... TO 140°F
- RPM (MAX)** ..... 2000
- MATERIALS OF CONSTRUCTION**
- BODY** ..... HARDCOAT ALUMINUM
- PLUNGER** ..... 304 SS
- VALVES** ..... STAINLESS STEEL
- FASTENERS** ..... STAINLESS STEEL

**GENERAL SAFETY INFORMATION**

Please read this manual before installing or operating pump to provide safe operation and prevent equipment problems. Observe the following symbols and definitions.

**NOTE:** Indicates important instructions which are not related to hazards.

**IMPORTANT:** Indicates factors concerned with assembly, installation, operation, or maintenance which could result in damage to the machine or equipment if ignored.

**CAUTION!** Warns about hazards that *MAY* cause minor personal injury or property damage if ignored.

**WARNING!** Warns about hazards that *COULD* cause serious personal injury, death or major property damage if ignored.

**DANGER!** Warns about hazards that *WILL* cause serious person injury, death or major property damage if ignored.

**PLEASE READ, SAVE AND REFER TO SAFETY INSTRUCTIONS BELOW:**

**CAUTION!** Pumps build up heat and pressure during operation. Allow time for pumps to cool before handling or servicing. Only qualified personnel should install, operate, and repair pump.

**IMPORTANT:** For pumping liquids other than water, contact your supplier.

**DANGER!** Do not pump hazardous materials (flammable, caustic, etc.), unless the pump is specifically designed and designated to handle them.

**WARNING!** To reduce risk of electric shock, always disconnect pump from power source before handling or servicing.

**WARNING!** Any wiring of pumps should be performed by a qualified electrician.

**CAUTION!** These pumps are not intended to be submersed.



PumpteC, Inc. is not responsible for losses, injury, or death resulting from a failure to observe these safety precautions, misuse or abuse of pumps or equipment.

## INSTALLATION

### MOUNTING

Pump motor set can be mounted in any position EXCEPT with pump head higher than motor. To minimize amp draw, noise and vibration, use appropriate flexible hose to inlet and discharge ports.

### LOCATION

**CAUTION!** *If the pump is used in extremely dirty or humid conditions, it is recommended pump be enclosed. Do not store or operate in excessively high temperature areas or without proper ventilation.*

The pumping system can be mounted where it is visible, but it must be protected from rain, dirt and chemical spray or splashing. The pump must never be installed on a vertical surface with the pump head higher than motor, like a capital letter “T”, for example.

## PRE-OPERATION

### INLET CONDITIONS

**CAUTION!** *DO NOT STARVE THE PUMP OR RUN DRY. Temperatures above 130°F will require pressurized inlet to avoid cavitation and seal damage.*

### DISCHARGE CONDITIONS

Open all valves in system prior to operation to avoid excessive load on motor and system from a pressure spike. Follow the instructions of proper system design. Refer to supplier if assistance is needed.

### PRESSURE REGULATION

Verify pressure regulation devices are operating correctly.

### NOZZLES

Nozzles create pressure in most systems and they become larger with use. Larger nozzles decrease system pressure. Verify the quality of nozzles prior to operation.

### MOTOR SHAFT ROTATION

**CAUTION!** *Motor shaft rotation must always be counterclockwise in order to assure proper function of pump or warranty may be void.*

## PUMPED LIQUIDS

Some liquids may require a flush between operations or before storing. For pumping liquids other than water, contact your supplier.

**CAUTION!** *If the pump is used in extremely dirty or humid conditions, it is recommended pump be enclosed. Do not store or operate in excessively high temperature areas or without proper ventilation.*

## OPERATION

### GENERAL OPERATING INFORMATION

Pressure is often created by forcing a volume of fluid (flow) through a specific size hole (nozzle). Additionally, pressure can be created by pumping into a non-expanding chamber. Pressure is measured and stated in PSI – pounds per square inch.

Flow is created based upon the pump displacement and speed (RPM) of the motor. Pump plunger size affects flow based upon the same RPM. The faster the motor speed, the greater the flow. Flow is measured and stated in GPM – gallons per minute.

The pump, driven by a motor or engine, draws fluid through a set of valves into the pumping chamber and the fluid is then forced out of a set of valves to exit the pump. The back and forth movement of the plunger in the sealed pumping chamber creates the suction and discharge actions.

Once the fluid has exited the pump it must be controlled until it exits the nozzle or reaches the place it needs to go. This control is achieved via the use of system components such as an unloader or regulating valve. The pumps are positive displacement pumps providing a specific amount of fluid constantly while operating. This volume of fluid must be directed out thru a nozzle or back to a tank because it cannot be stopped completely without creating excessively high pressure and risk of damage to pump, components, property and person. It is recommended a safety device such as a regulating valve be installed directly on pump head as protection in case of a failure of another component. Pressure switches can be used to automate pump operation, but they must have a pressure regulating device installed as a safety device.

Fluid can enter a pump either from a filtered tank or pressurized fluid line.

It is common to use a tank with pumps that are mounted above the pump. Filtration is important to maintain proper function of the pump and system. The extent of filtration may be greater based upon some uses such as misting with ultra-fine nozzles.

### INLET CONDITION CHECKLIST

Inadequate inlet conditions can cause serious malfunctions in

the best designed pump. Surprisingly, the simplest of things can cause the most severe problems or go unnoticed to the unfamiliar or untrained eye. REVIEW THIS CHECKLIST BEFORE OPERATION OF ANY SYSTEM. Remember, no two systems are alike so there can be no ONE best way to setup a system. All factors must be carefully considered.

**INLET SUPPLY** should exceed the maximum flow being delivered by the pump to assure proper performance.

- Open inlet shut-off valve and turn on water supply to avoid starving the pump. DO NOT RUN PUMP DRY.
- Avoid closed loop systems especially with high temperature, ultra-high pressure or large flows. Conditions vary with regulating/unloader valve.
- When using an inlet supply reservoir, size it to provide adequate liquid to accommodate the maximum output of the pump, generally a minimum of 6-10 times the GPM (however, a combination of system factors can change this requirement).

**INLET LINE SIZE** should be adequate to avoid starving the pump

- Line size must be a minimum of one size larger than the pump inlet fitting. Avoid tees, 90-degree elbows or valves in the inlet line of the pump to reduce the risk of flow restriction and cavitations.
- The line MUST be a FLEXIBLE hose, NOT a rigid pipe, and reinforced on SUCTION systems to avoid collapsing.
- The simpler the inlet plumbing the less the potential for problems. Keep the length to a minimum, the number of elbows and joints to a minimum (ideally no elbows) and the inlet accessories to a minimum.
- Use pipe sealant to assure airtight, positive sealing pipe joints.

**INLET PRESSURE** should fall within the specifications of the pump.

- High RPM, high temperatures, low vapor pressures or high viscosity may increase acceleration loss of liquids.
- Optimum pump performance is obtained with +20 PSI (1.4 BAR) inlet pressure. With adequate inlet plumbing, most pumps will perform with flooded suction.
- After prolonged storage, pump should be purged of air to facilitate priming. Disconnect the discharge port to allow liquid to pass through pump and measure flow.

**BYPASS TO INLET** – care should be exercised when deciding the method of bypass from control valves. See Misting on pages 4 and 5.

- It is recommended that the bypass be directed to a baffled reservoir tank, with at least one baffle between the bypass line and the inlet line to the pump.
- Although not recommended, bypass liquid may be returned to the inlet line of the pump if the system is properly designed to protect your pump.
- A low-pressure, flexible hose should be used from the bypass connection to the inlet of the pump.
- Caution should be exercised to avoid undersizing the bypass hose diameter and length.
- Check the pressure in the bypass line to avoid over-pressurizing.

## USING CHEMICALS

Chemicals can be mixed into the fluid and it is necessary to understand whether these chemicals will damage the pump or other system components. Another way to put chemicals into the fluid is with a downstream injector.

An injector works as a result of the difference of pressure between the inlet side of injector and discharge side. In most cases, the pressure on the discharge side cannot exceed 1/2 of the inlet pressure. For example, 1000 PSI into an injector should allow up to 500-600 PSI spray pressure on discharge side. There are dual-function nozzles that permit high pressure, chemical free rinse and low pressure, chemical spray. These are convenient for the operator and will not harm a properly designed system.

The advantages of an injector are:

Fewer items touching chemical, the chemical injection rate can be controlled, and applying chemical at lower pressure increases chemical use efficiency.

## HEATING FLUID

The pumps may sometimes be used with downstream heaters and precautions need to be taken to protect the system and persons from harm. Refer to the skilled staff at the equipment manufacturer for guidance and proper system care. Please be aware that heated water expands and additional pressure release safety devices may be required.

## SYSTEM DESIGN

A pump is the heart of every system and proper selection is critical to equipment function and durability. If a pumping set with excess flow is chosen, then energy and fluid is wasted. If excess pressure results, then equipment effectiveness can decrease and so can pump life.

## TYPICAL APPLICATIONS AND THEIR PERFORMANCE CONSIDERATIONS

### PRESSURE CLEANING

The optimal combination of PSI and GPM for cleaning is a ratio of 1 GPM for every 300-400 PSI. This combination maintains sufficient droplet size for cleaning force and distance. If the flow is increased without an increase in pressure, the cleaning impact does not increase with the increased use of fluid. If pressure increases, and flow does not, then the water droplet size reduces and has less impact force, requiring closer cleaning distances and increased risk of surface damage.

### PEST SPRAYING

This application can have specific chemical usage requirements and application pressure limits, so use the included information as a guide only. Refer to label requirements for each specific chemical.

### LINE LOSS

When choosing a pump for spraying, pressure loss in the hose must be considered. The pressure is greatest at pump and decreases over the length of the hose. Typically, these systems utilize very long hoses, 200-300 ft. is common, and requires a certain minimum amount of performance to move the flow through the lengths of hose. For example, a 3 GPM system will require (lose) 50 PSI per 50 ft. of 3/8" ID hose. A pump with only 60-70 PSI may not provide the desired performance at the end of the hose. See reference charts to assist in system design.

### MISTING

It is critical to size the pump correctly in a misting application. If insufficient flow is chosen, then proper atomization and droplet size will not result. If excessive flow is chosen, then unnecessary wear and wasted energy will occur in this very demanding application. Refer to the Nozzle Performance Chart for your chosen nozzles to determine the required total flow at desired pressure. For example, if 1000 PSI is desired from 20 pieces of '08 misting nozzles, then a minimum flow rate of 0.4 GPM is required. Allowances need to be made for losses from tubing lengths and fittings, too. It would be unwise in this situation to choose a 0.75 or 1.0 GPM pumping system.

Another consideration for misting concerns the routing of the bypass fluid. DO NOT return bypass fluid from regulating valve directly back to inlet of pump. The returned fluid will contain large amounts of air bubbles that will cause cavitation and damage in the pump head. Also, the small amount of returned fluid can heat up rapidly and lead to further cavitation and component damage. It is recommended to route bypass back

to inlet of filter to allow air bubbles to dissolve and water to cool prior to entering pump.

The pumps are shipped assembled to a custom-made motor based upon your specifications. It is not necessary to order a motor separately. Communicate your specification requirements and the supplier will assist with pump options. Please use the following charts as a guide to understand the basic system requirements.

NOTE: Nozzle sizes in the performance chart are additive. For example, 2 pieces of '02 nozzle equals the performance of 1 piece of '04.

Nozzles create restriction (pressure) in the system. If unsure of the nozzle size needed for desired performance, refer to Nozzle Performance Chart. If you are sure of your nozzle size, but unsure of which pump set to choose, then use the Nozzle Performance Chart along with the Horsepower Chart to determine your required pump specification.

An example of how to use these charts together: when you have 2 pieces of an '02 nozzle and you want 500 PSI, the Nozzle Chart will tell you that 2 pieces of an '02 nozzle has a flow equal to 1 piece of an '04 nozzle. At 500 PSI, an '04 nozzle has a flow of 1.4 GPM. The performance specification is 1.4 GPM at 500 PSI.

The Horsepower Chart indicates that 1.4 GPM at 500 PSI requires .408 HP. You will need to select a pump set that can perform at this level. Refer to page 6.

**NOZZLE PERFORMANCE CHART  
FLOW RATE VS. PRESSURE**

SS TIP #	GPM (GALLONS PER MINUTE) @ PSI (POUNDS PER SQUARE INCH)						
	60	80	100	200	300	400	500
	60	80	100	200	300	400	600
2	0.25	0.28	0.32	0.45	0.55	0.64	0.71
3	0.37	0.42	0.47	0.67	0.82	0.96	1.10
4	0.49	0.57	0.63	0.89	1.10	1.26	1.40
6	0.73	0.85	0.95	1.34	1.64	1.90	2.10
8	0.98	1.13	1.26	1.79	2.20	2.52	2.80
10	1.22	1.41	1.58	2.24	2.74	3.16	3.50
12	1.47	1.70	1.90	2.68	3.29	3.79	4.24
15	1.84	2.12	2.37	3.35	4.11	4.74	5.30
20	2.45	2.83	3.16	4.47	5.48	6.32	7.07
30	3.67	4.24	4.74	6.71	8.22	9.49	10.61

**HORSEPOWER CHART**

FLOW IN GPM	HORSEPOWER REQUIRED @ PSI (POUNDS PER SQUARE INCH)										
	50	100	150	200	300	400	500	750	1000	1200	1500
0.2	.006	.012	.018	.023	.035	.047	.058	.088	.117	.140	.175
0.4	.012	.023	.035	.047	.070	.093	.117	.175	.233	.280	.350
0.6	.018	.035	.053	.070	.105	.140	.041	.263	.350	.420	.525
0.8	.023	.047	.070	.093	.140	.187	.233	.350	.467	.560	.700
1	.029	.058	.088	.117	.175	.233	.292	.438	.583	.700	.875
1.2	.035	.070	.105	.140	.210	.280	.350	.525	.700	.840	1.050
1.4	.041	.082	.123	.163	.245	.327	<b>.408*</b>	.613	.817	.980	1.225
1.6	.047	.093	.140	.187	.280	.373	.467	.700	.933	1.120	1.400
1.8	.053	.105	.158	.210	.315	.420	.525	.788	1.050	1.260	1.575
2	.058	.117	.175	.233	.350	.467	.583	.875	1.167	1.400	1.750
2.2	.064	.128	.193	.257	.385	.513	.642	.963	1.284*	1.540	1.925
2.4	.070	.140	.210	.280	.420	.560	.700	1.050	1.400	1.680	2.100
2.6	.076	.152	.228	.303	.455	.607	.758	1.138	1.517	1.820	2.275

(\*) NOTE: 1.4 G PM at 500 PSI requires .408 HP.



**MAINTENANCE**

**DISASSEMBLY AND REASSEMBLY INSTRUCTIONS (Refer to Schematic)**

1. Remove pump from motor using a 3/16" hex wrench. Remove bolts from pump. Turn pump over so manifold is facing upward. Place manifold to side as a reference for reassembly. Figure 1 shows pump separate from motor. Manifold facing upward and set to side.



Figure 1

2. Holding each head, pull them apart to remove plunger. Remove retaining plate from pump head. Remove internal seal parts with finger. Discard parts, but keep head and retaining plate. Figure 2 shows pump heads pulled apart showing plunger, retaining plate and internal seal.



Figure 2

3. Clean the head with a rag or towel. Inspect for damage or excess corrosion. If the head is damaged, do not rebuild. (Note the order and orientation of repair parts prior to installation). Figure 3 shows repair parts in order and in correct orientation.



Figure 3

4. Place O-ring around seal and gently put into seal bore with both thumbs.

5. Place guide into seal bore, level above the O-ring seal assembly. Apply even downward pressure to guide to install seal and guide into seal bore. Remove guide and verify that O-ring and seal are properly installed without bulges or creasing. Slide the retaining plate back into place.



Figure 4

6. Repeat the previous steps 2-5 with the other head.

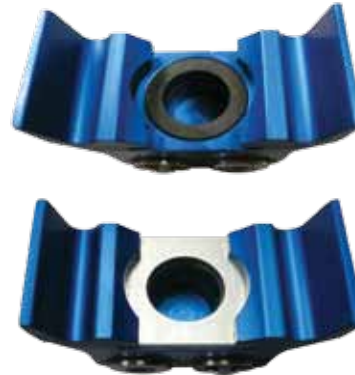


Figure 5

7. Lightly grease the plunger with the clear grease provided in small grey tube. Slide plunger into one head assembly and then slide the other head onto plunger. Place head and plunger assembly on work surface with valves facing upward. Figure 6 shows plunger in one head assembly with other head in position above plunger.



Figure 6

8. Adjust plunger slot position towards center and have slot facing work surface. Replace all valves, O-rings, and 1/2" ID white washers. Refer to image and manifold label to understand proper orientation. Figure 7 shows proper orientation with

valves, O-rings and 1/2" ID white washers in place.

**IMPORTANT:** It is imperative the alignment of OUT/IN ports coincide with valves as indicated in Figure 7.



Figure 7

9. Place manifold on top of plunger and head assembly. It may be necessary to move heads on plunger to have valves align with valve pockets on manifold. Be careful not to lose the O-rings and valves or the white gaskets in the manifold during reassembly. Figure 8 shows moving heads on plunger to align with valve pockets. You may hear a click when everything is aligned.



Figure 8

10. Turn assembly over, and place shorter bolts and washer assembly into heads and tighten finger tight. DO NOT tighten completely at this time. Figure 9 shows assembly turned over and shorter bolt and washer in place.



Figure 9

11. Apply **black grease** from supplied packet into corners and center of plunger slot.



Figure 10

12. Mount pump back onto motor and tighten mounting bolts to 14 in/lbs. of torque. Tighten head bolts to 14 in/lbs. of torque.

**LUBRICATION**

Apply 1.5 oz of suppliers black grease to the corners and center of plunger slot at the time of service.

**STORING**

For extended storing, or between use in cold climates, drain all pumped liquids from pump and flush with antifreeze solution to prevent freezing and damage to the pump. DO NOT RUN PUMP WITH FROZEN LIQUID.

**NOTE:** Each system’s maintenance cycle will be unique. If system performance decreases, check immediately. If no wear at 500 hours, check again at 1000 hours and each 500 hours until wear is observed. Valves typically require changing every seal change. Duty cycle, temperature, quality of pumped liquid and inlet feed conditions all effect the life of a pump’s wear parts and service cycle.

**NOTE:** Remember to service the regulator/uploader at each seal servicing and check all system accessories and connections before resuming operation.

**PREVENTATIVE MAINTENANCE CHECKLIST**

Check	daily	weekly	50 Hrs.	500 Hrs.	1500 Hrs.	3000 Hrs.
Clean Filters	X					
Water Leaks	X					
Descale Pump		X	X			
Cam & Bearing				X	X	
Seal Change				X	X	
Valve Change				X		X



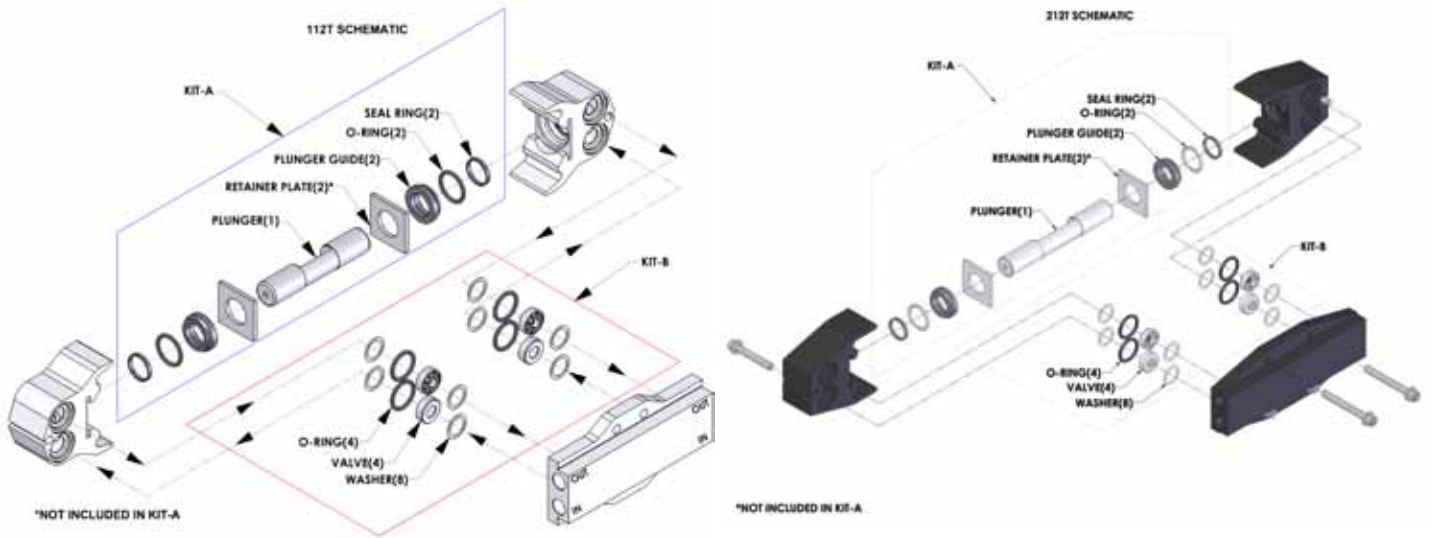
**TROUBLESHOOTING CHART**

<b>SYMPTOM</b>	<b>POSSIBLE CAUSE(S)</b>	<b>CORRECTIVE ACTION</b>
No water flow	<ol style="list-style-type: none"> <li>1. Tank is empty or water is not turned on</li> <li>2. Filter clogged</li> <li>3. Pump valves clogged or damaged</li> <li>4. Pump has lost prime</li> </ol>	<ol style="list-style-type: none"> <li>1. Fill tank or turn on water supply</li> <li>2. Clean filter</li> <li>3. Examine valves and clean or replace</li> <li>4. Follow priming procedure</li> </ol>
Low pressure	<ol style="list-style-type: none"> <li>1. Worn nozzle</li> <li>2. Leak in high pressure hose or connections</li> <li>3. Filter clogged</li> <li>4. Pump valves clogged or damaged</li> </ol>	<ol style="list-style-type: none"> <li>1. Replace nozzle with new one of same size</li> <li>2. Check hose and connections</li> <li>3. Clean filter</li> <li>4. Examine valves and clean or replace</li> </ol>
Pump pulsates when spraying	<ol style="list-style-type: none"> <li>1. Filter clogged</li> <li>2. Pump valves clogged or damaged</li> </ol>	<ol style="list-style-type: none"> <li>1. Clean filter</li> <li>2. Examine valves and clean or replace</li> </ol>
Motor does not operate	<ol style="list-style-type: none"> <li>1. Blown fuse or circuit breaker</li> </ol>	<ol style="list-style-type: none"> <li>1. Replace circuit breaker or fuse. Check circuit for wire damage or component damage</li> </ol>
Leaks seen under pump	<ol style="list-style-type: none"> <li>1. Worn pump seals</li> <li>2. Abrasives in solution have damaged pump seals</li> </ol>	<ol style="list-style-type: none"> <li>1. Replace with new plunger and seals</li> <li>2. Mix chemical thoroughly and improve filter</li> </ol>
Regulator leaks fluid from cap	<ol style="list-style-type: none"> <li>1. Pressure is set too low</li> </ol>	<ol style="list-style-type: none"> <li>1. Set pressure higher to keep internals from moving too much</li> <li>2. Replace seal</li> </ol>

***For Repair Parts, call 763-433-0303***

Please provide following information:

- Model number
- Serial number (if any)
- Part description and number as shown in parts list



112T

212T

Repair Parts illustration for Plunger Pump

**REPAIR PARTS LIST FOR PLUNGER PUMP**

DESCRIPTION	PART NO.	QTY	DESCRIPTION	PART NO.	QTY
<b>KIT A, 112T, BUNA</b>	10001		<b>KIT B, BUNA</b>	10004	
<b>KIT A, 112T, VITON</b>	10005		<b>KIT B, VITON</b>	10008	
<b>KIT A, 212T, BUNA</b>	10017		O-Ring, 1-116	▲	4
<b>KIT A, 212T, VITON</b>	10021		Valve	▲	4
Plunger	▲	1	1/2" ID Washer	▲	8
O-Ring, 1-117	▲	2	Retainer Plate	*	2
Seal Ring	▲	2	Head	*	2
Plunger Guide	▲	2	Manifold	*	1

(▲) Sold only as part of a kit. | (\*) Not part of a kit, for identification only.

**LIMITED WARRANTY**

**PUMPTEC ONE-YEAR LIMITED WARRANTY.** PUMPTEC PLUNGER PUMPS, MODELS COVERED IN THIS MANUAL, ARE WARRANTED BY PUMPTEC, TO THE ORIGINAL USER AGAINST DEFECTS IN WORKMANSHIP OR MATERIALS UNDER NORMAL USE FOR ONE YEAR AFTER DATE OF PURCHASE. ANY PART WHICH IS DETERMINED TO BE DEFECTIVE IN MATERIAL OR WORKMANSHIP AND RETURNED. AS PUMPTEC DESIGNATES, SHIPPING COSTS PREPAID, WILL BE, AS THE EXCLUSIVE REMEDY, REPAIRED OR REPLACED AT PUMPTEC'S OPTION. FOR LIMITED WARRANTY CLAIM PROCEDURES, SEE "PROMPT DISPOSITION" BELOW. THIS LIMITED WARRANTY GIVES PURCHASERS SPECIFIC LEGAL RIGHTS WHICH VARY FROM JURISDICTION TO JURISDICTION.

**LIMITATION OF LIABILITY.** TO THE EXTENT ALLOWABLE UNDER APPLICABLE LAW, PUMPTEC'S LIABILITY FOR CONSEQUENTIAL AND INCIDENTAL DAMAGES IS EXPRESSLY DISCLAIMED. PUMPTEC'S LIABILITY IN ALL EVENTS IS LIMITED TO AND SHALL NOT EXCEED THE PURCHASE PRICE PAID.

**WARRANTY DISCLAIMER.** A DILIGENT EFFORT HAS BEEN MADE TO PROVIDE PRODUCT INFORMATION AND ILLUSTRATE THE PRODUCTS IN THIS LITERATURE ACCURATELY; HOWEVER, SUCH INFORMATION AND ILLUSTRATIONS ARE FOR THE SOLE PURPOSE OF IDENTIFICATION, AND DO NOT EXPRESS OR IMPLY A WARRANTY THAT THE PRODUCTS ARE MERCHANTABLE, OR FIT FOR A PARTICULAR PURPOSE, OR THAT THE PRODUCTS WILL NECESSARILY CONFORM TO THE ILLUSTRATIONS OR DESCRIPTIONS. EXCEPT AS PROVIDED BELOW, NO WARRANTY OR AFFIRMATION OF FACT, EXPRESSED OR IMPLIED, OTHER THAN AS STATED IN THE "LIMITED WARRANTY" ABOVE IS MADE OR AUTHORIZED BY PUMPTEC.

**Technical Advice and Recommendations, Disclaimer.** Notwithstanding any past practice or dealings or trade custom, sales shall not include the furnishing of technical advice or assistance or system design. Pumptec assumes no obligations or liability on account of any unauthorized recommendations, opinions or advice as to the choice, installation or use of products.

**Product Suitability.** Many jurisdictions have codes and regulations governing sales, construction, installation, and/or use of products for certain purposes, which may vary from those in neighboring areas. While attempts are made to assure that Pumptec products comply with such codes, Pumptec cannot guarantee compliance, and cannot be responsible for how the product is installed or used. Before purchase and use of a product, review the product applications, and all applicable national and local codes and regulations, and be sure that the product, installation, and use will comply with them.

Certain aspects of disclaimers are not applicable to consumer products; e.g., (a) some jurisdictions do not allow the exclusion or limitation of incidental or consequential damages, so the above limitation or exclusion may not apply to you; (b) also, some jurisdictions do not allow a limitation on how long an implied warranty lasts, consequently the above limitation may not apply to you; and (c) by law, during the period of this limited Warranty, any implied warranties of implied merchantability or fitness for a particular purpose applicable to consumer products purchased by consumers, may not be excluded or otherwise disclaimed.

**Prompt Disposition.** A good faith effort will be made for prompt correction or other adjustment with respect to any product which proves to be defective within limited warranty. For any product believed to be defective within limited warranty, first write or call Pumptec. Pumptec will give additional directions. If unable to resolve satisfactorily, write to Pumptec at address below, giving and serial number, invoice number and date, and describing the nature of the defect. Title and risk of loss pass to buyer on delivery to common carrier. If product was damaged in transit to you, file claim with carrier.

Manufactured by Pumptec, Inc. 700 McKinley St. NW, Anoka, Minnesota 55303 U.S.A.  
763-433-0303