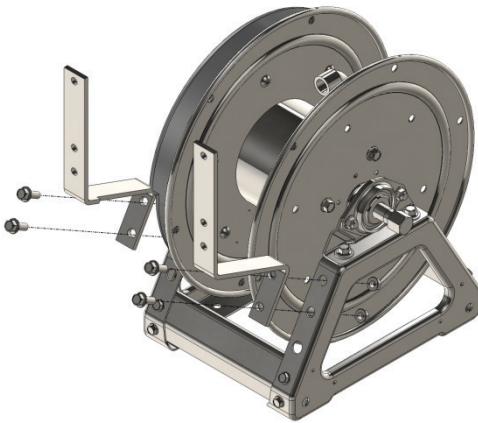


**ACTIONS REQUIRED**

**NOTE: FAILURE TO FOLLOW THESE INSTRUCTIONS MAY VOID THE WARRANTY**  
For schematic parts listing, please refer to Hannay parts list ISO-115 (Utility Hose Rollers).

**STEP 1**

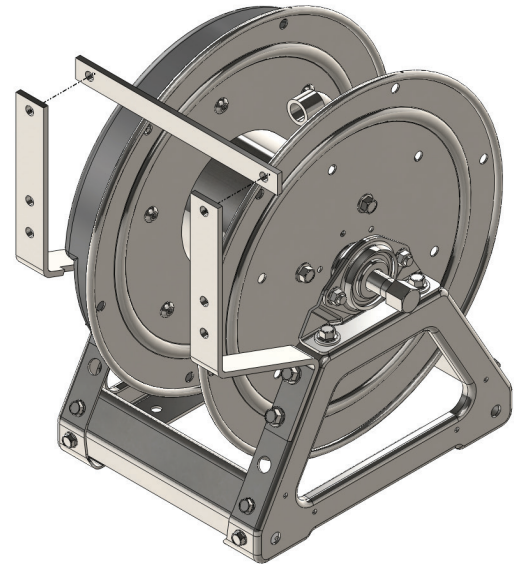
Install the LEFT and RIGHT vertical steel brackets onto the frame using four 3/8" bolts and nuts. **NOTE:** notches in the vertical brackets need to go towards the INSIDE of the reel. The motor chain guard will interfere with one of the vertical brackets if the notch is not positioned correctly.



Reel with Side Bracket Leg & 3/8" Mounting Hardware

**STEP 2**

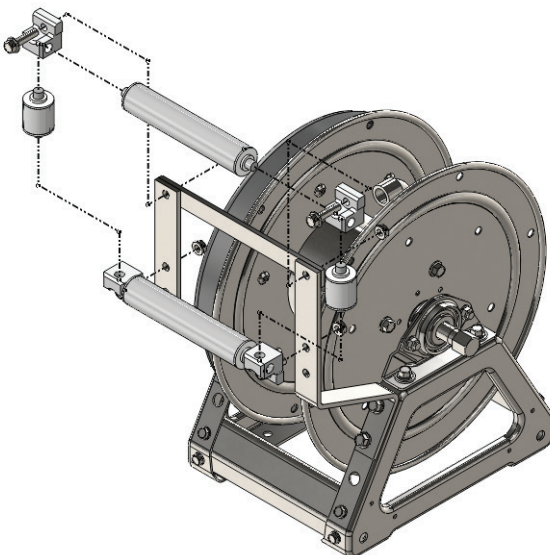
Install the bottom horizontal roller, using two of the provided four mounting blocks and two 3/8" bolts and nuts.



Reel with Horizontal Cross-Member aligned.

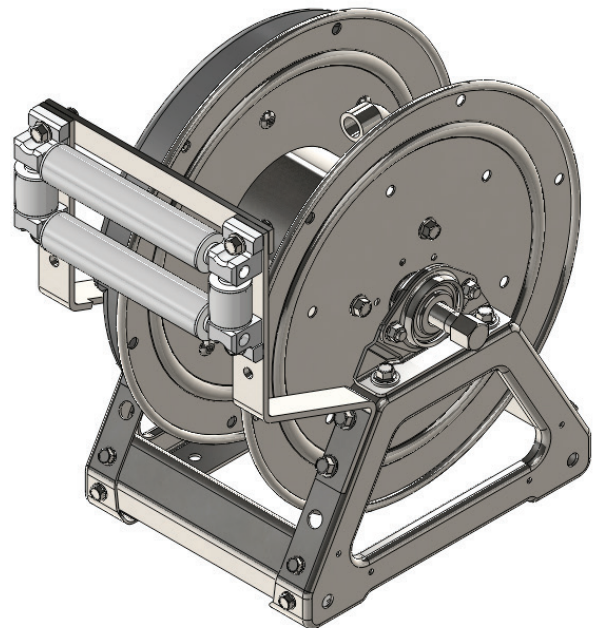
**STEP 3**

Install the remaining rollers using the other mounting blocks and hardware. Tighten all fasteners.



Reel with Rollers aligned to be installed

**STEP 4**



Completed Reel with Rollers Attached