

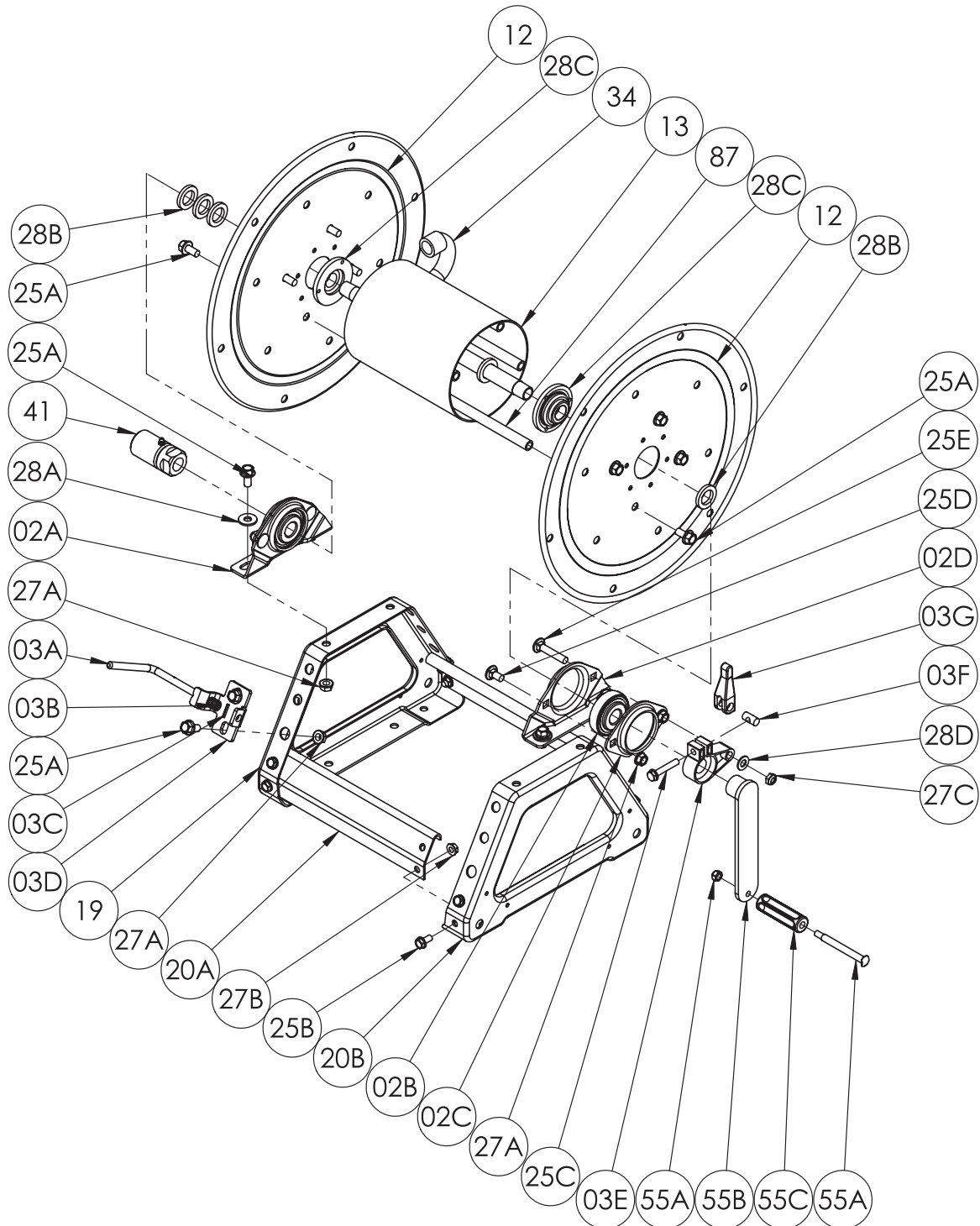


Hannay Reels®

The reel leader.

Hannay Reels, Inc., 553 State Route 143
Westerlo, NY 12193
Telephone 518-797-3791 • Toll Free 1-877-GO-REELS (467-3357)
FAX 1-800-REELING (733-5464)
INT'L FAX (518) 797-3259
Website: www.hannay.com
E-mail: reels@hannay.com

ISO 179 PARTS LIST SERIES 1500 Manual Rewind



PARTS LIST
ISO 179
Model 1500 - MANUAL REWIND

When ordering parts

BE SURE TO SPECIFY COMPLETE MODEL NUMBER and SERIAL NUMBER OF REEL.
USE PART NUMBER!

<u>Item No.</u>	<u>Description</u>	<u>PART NUMBER</u>	<u>Quantity</u>
02A	1/2" Self Aligning Bearing Complete (Includes 02B, 02C and 02D).....	9902.1200	2
02B	1/2" Self Aligning Bearing Insert.....	9902.1300	2
02C	Self Aligning Bearing Holder	9902.2800	2
02D	Self Aligning Bearing Pillow Block.....	9902.2900	2
03A	SST Pin for PL-1 Pinlock.....	9965.0031	1
03B	Pinlock Spring.....	9965.0032	1
03C	1/8" x 3/4" Spring Pin.....	9958.0049	1
03D	PL-1 Pinlock Bracket Only.....	9965.0035	1
03E	Cam Lock Drag Brake Body for 1/2" Hubs.....	9947.0131	1
03F	Brass Barrel Nut for Cam Lock Brake	9947.0133	1
03G	Cam Lock Lever	9947.0132	1
03H	PL-1 Pinlock Complete (Includes 03A, 03B, 03C and 03D).....	9965.0030	1
03D	Cam Lock Kit (Includes 03E, 03F, 03G and 25C).....	9947.0130	1
12	(17-18) 16.5" Diameter Disc 14 GA Steel (E-Coated) ~Specify Model.....	9903.0516	2
13	Drum, 6" Diameter Aluminum ~Specify Model.....	9905.7112	1
19	Frame Assy. For 1500 Series Reel Steel (E-Coated) ~Specify Model	9908.1000	1
20A	Steel (E-Coated) 1500 Style Foot Stock	9907.6000	2
20B	Steel (E-Coated) 1500 Side Frame	9906.0011	2
25A	3/8"-16 x 3/4" Spinlock Bolt	9904.2201	14
25B	5/16"-18 x 5/8" Hex Head Flanged Bolt.....	9904.1159	8
25C	5/16"-18 x 1-3/4" Hex Head Bolt w/ Nylock Patch.....	9947.0134	1
25D	3/8"-16 x 3/4" Carriage Bolt.....	9904.0201	3
25E	3/8"-16 x 2" Carriage Bolt for Camlock Brake Bearing.....	9904.0206	1
27A	3/8"-16 Spinlock Nut.....	9904.6200	10
27B	5/16"-18 Hex Top Lock Flanged Nut	9904.5602	8
27C	3/8"-16 Hex Head Nut (ESNA)	9904.5201	1
28A	3/8" Flat Washer	9954.0007	4
28B	1-3/8" O.D. x 7/8" I.D. x 3/16" Hub Spacer Washer	9954.0020	4
28C	1/2" Hub Disc Washer, per P28A-00050.....	9965.0040	2
28D	3/8" SAE Flat Washer (13/16" O.D.)	9954.0080	1
34	1/2" Welded Steel Hub ~Specify Model and Outlet Fitting.....	9901.0610	1
41	1/2" 90 Degree FxF Super Swivel, AFLAS.....	9927.8551	1
55A	3/8" Shoulder Bolt and Nut for plastic crank handle.....	9914.0511	1
55B	Hand Crank (Includes 55A and 55B)	9914.0021	1
55C	Black Plastic Crank Handle	9914.0506	1
87	Anodized Aluminum Threaded Spacer Tube	Spec Model	4