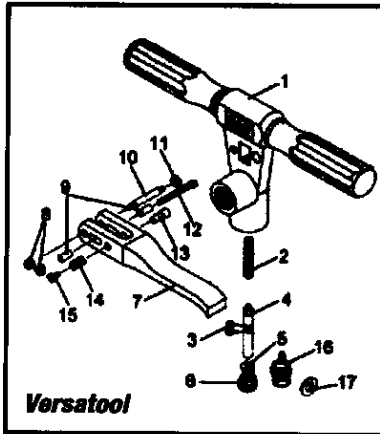


# B&G Versatool

(current version 2011)



## VERSATOOL VALVE 400 SERIES

#	Part #	Description
Valve	11007407	Valve assembly
1	22071644	Valve body
2	22059700	Spring rod
3	33000090	O-Ring
4	22059800	Valve rod
5	22060000	Seat gasket
6	22060100	Seat gasket holder
7	22059000	Valve trigger
8	22040500	Hex nut
9	22071038	Spacer
10	22058800	Trigger pin
11	22040500	Hex nut
12	22059100	Rod screw
13	22059400	Trigger lock
14	22059500	Trigger lock spring
15	22059600	Trigger lock screw
16	22067518	Adapter
17	95144402	Threaded washer

Quality Equipment & Spray

[www.Qspray.com](http://www.Qspray.com)

(800) 675.7485

[info@qspray.com](mailto:info@qspray.com)

# B&G Versatool

The Preceding page is the parts breakdown for the current version of the B&G Versatool. It uses a garden hose connection to attach the various pipes to the Versatool Valve.

The following page contains the parts breakdown for the prior versions of the Versatool, which does NOT use this garden hose connection. We have many of these parts in stock.

If you have questions, please call us at **800.675.7485**.

Thank you.

**Quality Equipment & Spray**

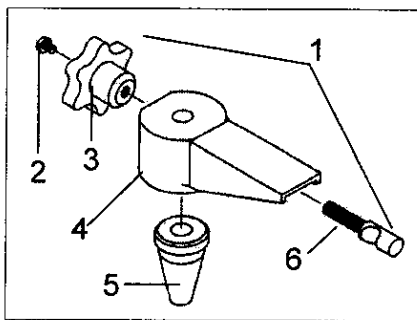
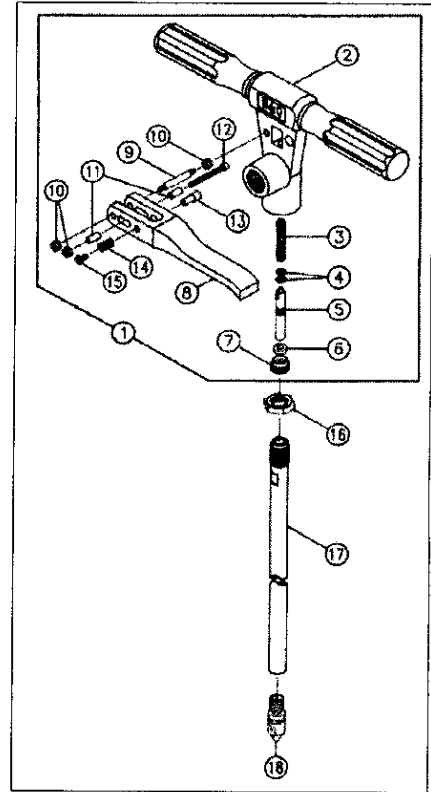
[www.Qspray.com](http://www.Qspray.com)

(800) 675.7485

[info@qspray.com](mailto:info@qspray.com)

### 484/486 Versatool

#	Part	Order #	Description
1	1549	22071649	Valve assembly
2	1544	22071644	Valve body
3	VT-618	22059700	Spring rod
4	1-1964	33000090	O-Ring
5	VT-619	22059800	Valve rod
6	VT-621A	22060000	Seat gasket
7	VT-622A	22060100	Seat gasket holder
8	VT-611	22059000	Valve trigger
9	VT-609	22058800	Trigger pin
10	TN-45	22040500	Hex nut
11	1138	22071038	Spacer
12	VT-612	22059100	Rod screw
13	VT-615	22059400	Trigger lock
14	VT-616	22059500	Trigger lock spring
15	VT-617	22059600	Trigger lock screw
16		22070917	Adapter
17	1340	22071940	Pipe assembly
17a	Not Shown	22071950	Check valve assm
			Check valve fits between parts 17 & 18
18	1390	22071390	Tip (6 hole)
18	1542	22071642	Fan tip 2 gpm.
	Kit	22028910	Valve rebuild kit (Includes 4,6,7,10,11,14)

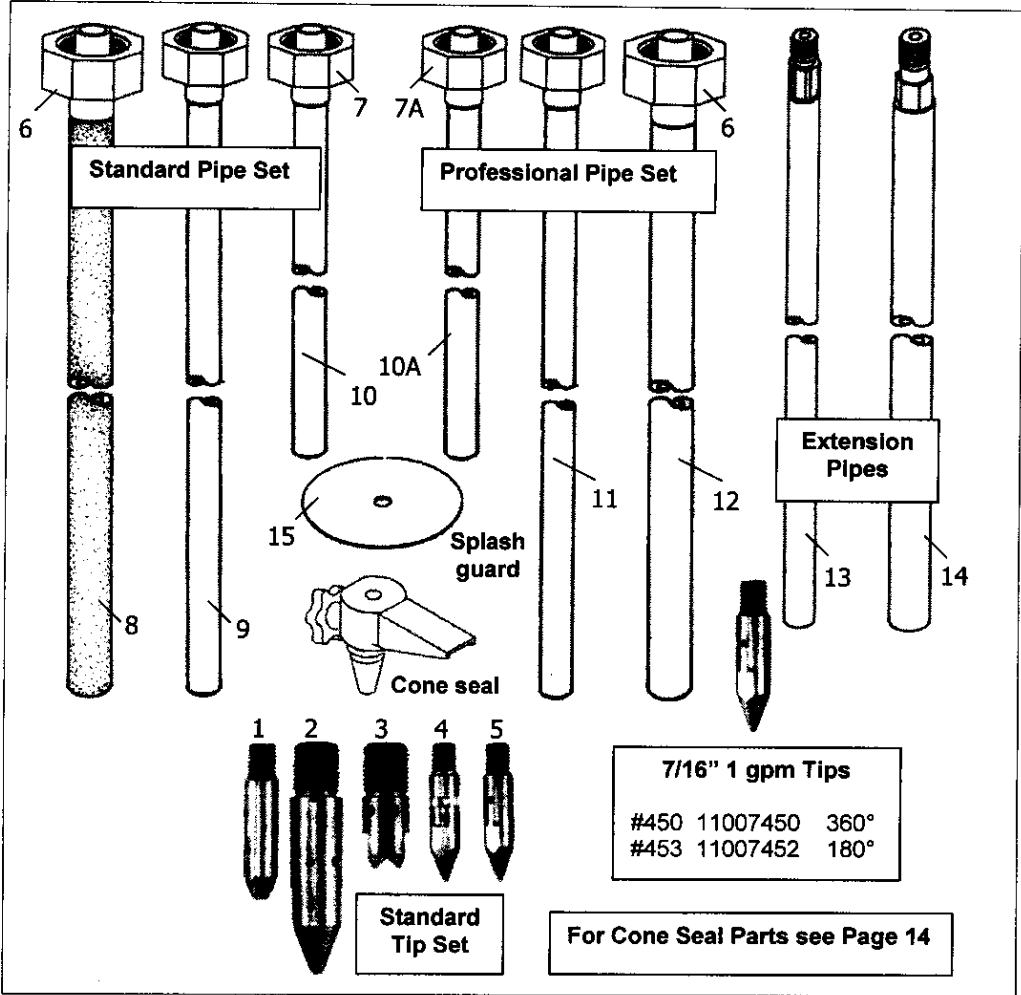


### Adjustable Cone Seal

#	Part	Order #	Description
1	ACS	22071775	Adj. Cone Seal
2	1145	22071045	Retaining screw
3	1380	22071380	Lock knob
4	ACS30	22071776	Foot ram
5	ACS25	22071771	Cone seal
6	1381	22071381	Lock bolt

Rev 1/05

# SERIES 400 TOOLS: PIPE SETS, EXTENSION PIPES, AND TIPS



### Standard Pipe Set

#	Computer #	Description
6	22067797	1/8" adapter
7	22067798	3/8" adapter
8	22067906	5/8" x 40" galvanized
9	22067912	7/16" x 40"
10	22067904	7/16" x 12"
15	22060850	Splash guard

### Professional Pipe Set

#	Computer #	Description
6	22067797	1/8" adapter
7A	22067798	3/8" adapter
10A	22071427	7/16" x 12"
11	22071428	7/16" x 40"
12	22071429	5/8" x 40"
15	22060850	Splash guard
	22071605	Check Valve (not shown) for 7/16 Pipes.

### Standard Tip Kit

#	Part	Computer #	Description
1	457	11007457	void 2 gpm
2	455	11007455	360° 5 gpm
3	454	11007454	360° 2 gpm
4	453	11007453	180° 2 gpm
5	451	11007451	360° 2 gpm

### Extension Pipes

#	Computer #	Description
13	11007460	7/16" x 40"
14	11007465	5/8" x 40"