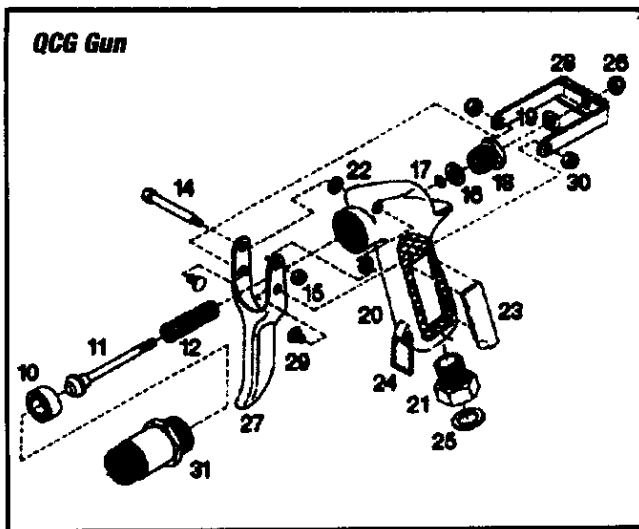


B&G Quick Change Gun (QCG)

(current version 2011)



PARTS LIST FOR QCG GUNS

#	Part #	Description	#	Part #	Description
10	34510	Valve seat	22	34522	Pivot bolt washer
11	34511	Shutoff valve	23	34590-Q	Label
12	34512	Shutoff spring	24	34596	Trigger lock
13	34513	Trigger Asy (not shown)	25	HWN	Gasket
14	34514	Pivot bolt	26	34519-N	Lock nut, valve stem
15	34515-N	Pivot bolt nut	27	34513-A	Trigger piece
16	34516-V	Gasket	28	34513-B	Valve yolk
17	34517-V	O-ring	29	34513-C	Trigger hinge bolt
18	34518	Gland nut	30	34513-D	Hinge bolt nut
19	34519-S	Valve stem nut	31	34563	Adapter
20	34520	Handle	32	34606-6	Cone Jet Asy (not shown)
21	34521	Adapter	33	34606-12	Cone Jet Asy (not shown)

Quality Equipment & Spray

www.Qspray.com

(800) 675.7485

info@qspray.com

B&G Quick Change Gun

The Preceding page is the parts breakdown for the current version of the B&G QCG.

The following pages contains the parts breakdown for the prior versions of the QCG. We have many of these parts in stock.

If you have questions, please call us at **800.675.7485**.

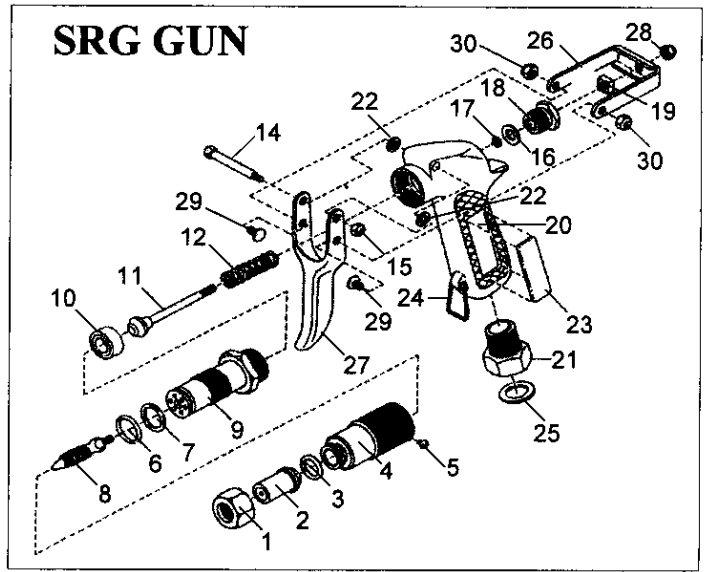
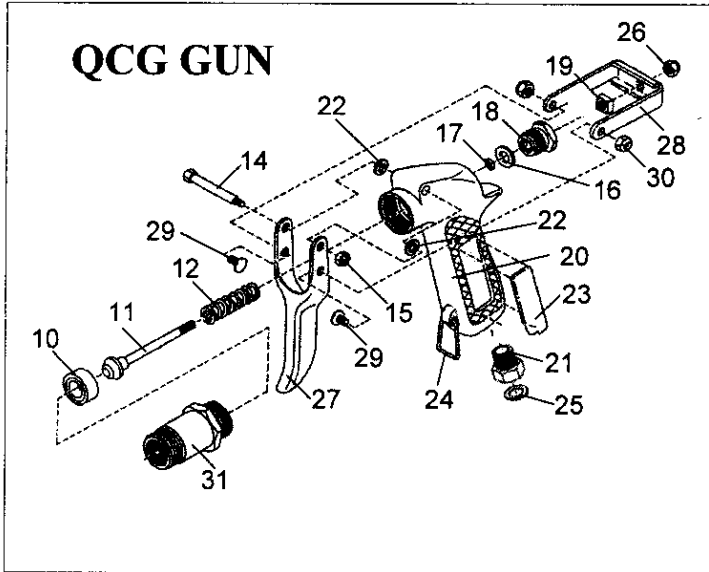
Thank you.

Quality Equipment & Spray

www.Qspray.com

(800) 675.7485

info@qspray.com



SRG AND QCG GUNS

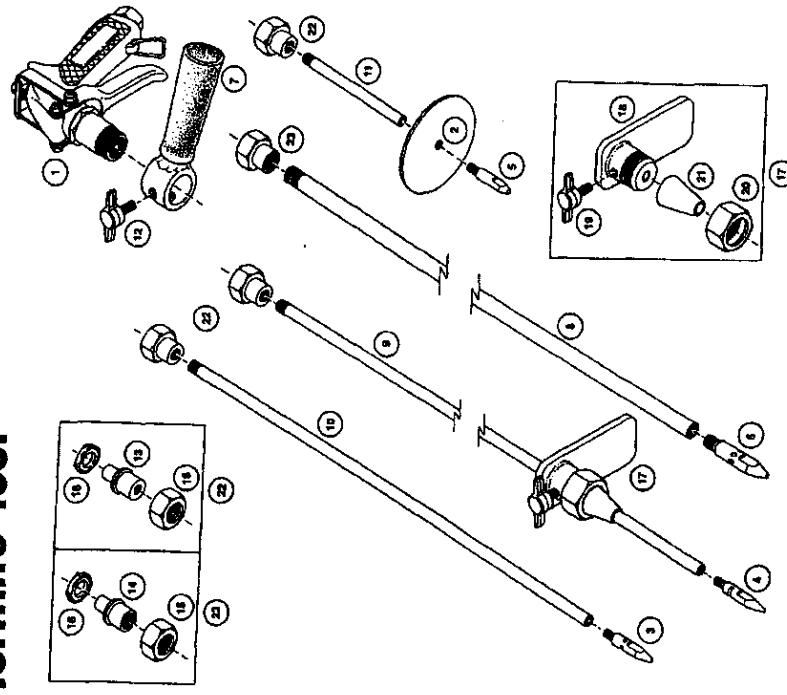
#	Part	Description
1	34501	Nozzle nut
2	34502-6	Nozzle orifice
3	34503-V	O-ring P-14
4	34504	Adj. sleeve
5	34505	Sleeve screw
6	34506-V	O-ring P-18
7	34507	Back-up O-ring
8	34508	Pattern valve
9	34509	Valve body
10	34510	Valve seat
11	34511	Shutoff valve
12	34512	Shutoff valve spring
13	34513	Trigger assembly*
14	34514	Pivot bolt
15	34515-N	Pivot bolt nut
16	34516-V	Gasket
17	34517-V	O-ring
18	34518	Gland nut
19	34519-S	Valve stem nut
20	34520	Handle
21	34521	1/2 MPT adapter
22	34522	Pivot bolt washer
23	34590-S	Label
24	34596	Trigger lock
25	HWN	Gasket for <u>QCG</u> gun
26	34519-N	Lock nut, valve stem
27	34513-A	Trigger piece
28	34513-B	Valve yolk
29	34513-C	Trigger hinge bolt
30	34513-D	Hinge bolt nut
31	34563	Nosepiece

* Trigger assembly = #s 27-30

Rev 1/05

ROBCO TOOLS (Prior to 2005)

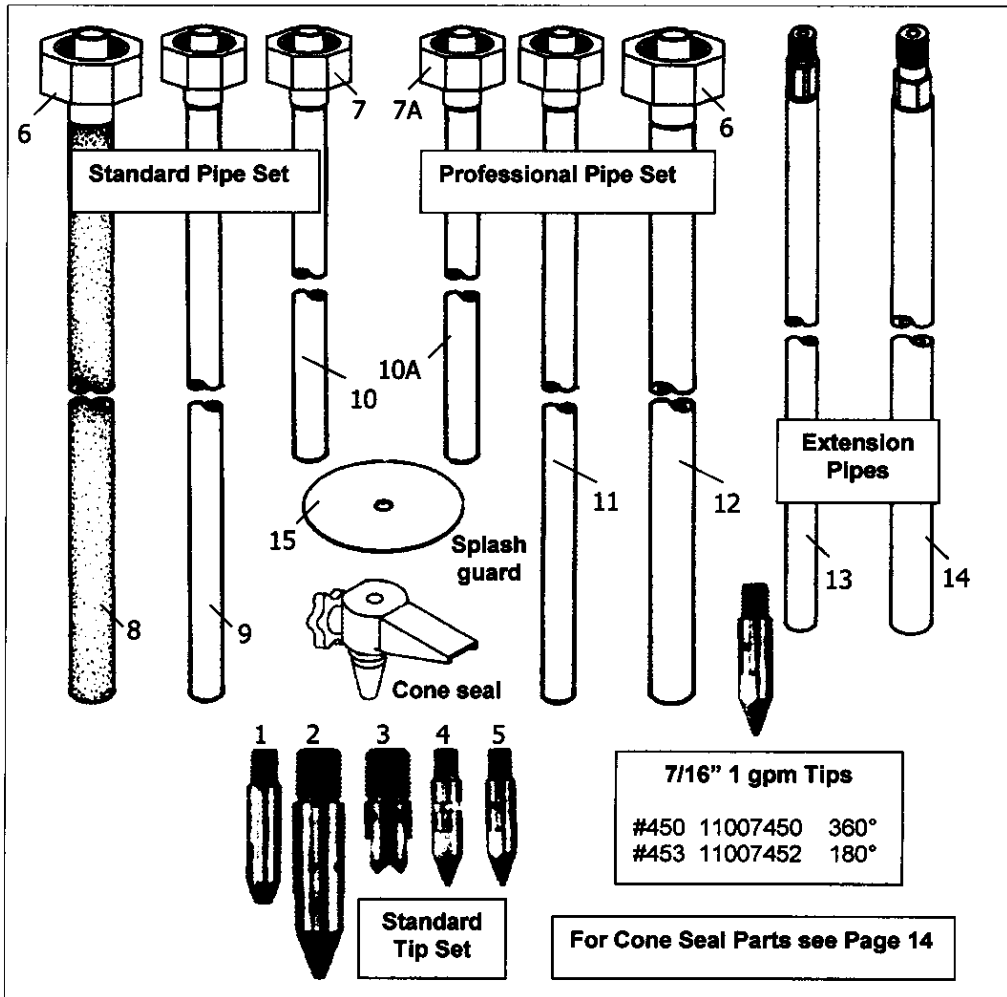
4-in-1 Termite Tool 34610



Parts List

Key #	Part #	Description
1	CC3	Quick-Change Gun
2	34587	Splashguard Metal, for Void Injector
3	34588-L	Injection tip Lateral 4-Way, Stainless
4	34588-S	Injection tip Sub-Slab, 5° Uprn, Stainless
5	34588-C2	Injection tip Center, 2 GPM, Stainless Steel
6	34671	Injection tip for 1 1/16" Rod, Stainless Steel
7	34673	Push Handle with Rubber Grip
8	34678	Rod for Injector, 1 1/16" x 36", Galvanized
9	34583-38	Rod, .405" O.D. x 38", Stainless Steel
10	34583-24	Rod, .405" O.D. x 24", Stainless Steel
11	34583-4	Rod, .405" O.D. x 4", Stainless Steel
12	34588	Sealscrew, .308" x 1/2", Stainless Steel
13	34811-18	Quick-Change Shank for .405" Rod
14	34511-38	Nut for Quick-Change Adapter
15	GRN	Gasket, Buna-N
16	HWN	Stub Injector Pedal Assembly
17	34855	Stub Injector Pedal Weldment
18	34857	Sealscrew, .308" x 1", Stainless Steel
19	34594	Nut, Coneseeal Retainer
20	34659	Coneseeal (3-pack)
21	34682	Quick-Change Adapter for .405" Rod
22	34605-18	Quick-Change Adapter for 1 1/16" Rod
23	34605-38	Quick-Change Adapter for 1 1/16" Rod

SERIES 400 TOOLS: PIPE SETS, EXTENSION PIPES, AND TIPS



Standard Pipe Set

#	Computer #	Description
6	22067797	1/8" adapter
7	22067798	3/8" adapter
8	22067906	5/8" x 40" galvanized
9	22067912	7/16" x 40"
10	22067904	7/16" x 12"
15	22060850	Splash guard

Professional Pipe Set

#	Computer #	Description
6	22067797	1/8" adapter
7A	22067798	3/8" adapter
10A	22071427	7/16" x 12"
11	22071428	7/16" x 40"
12	22071429	5/8" x 40"
15	22060850	Splash guard
	22071605	Check Valve (not shown) for 7/16 Pipes.

Standard Tip Kit

#	Part	Computer #	Description
1	457	11007457	void 2 gpm
2	455	11007455	360° 5 gpm
3	454	11007454	360° 2 gpm
4	453	11007453	180° 2 gpm
5	451	11007451	360° 2 gpm

Extension Pipes

#	Computer #	Description
13	11007460	7/16" x 40"
14	11007465	5/8" x 40"