

# Portable Aerosol System – User’s Manual

## SAFETY PRECAUTIONS

- Do not attempt to connect this unit to any external air or gas source. Only use with supplied compressor.
- Do not pressurize an empty tank.
- Open tank cap slowly before removing.
- Do not transport while the tank is under pressure
- Do not treat voids with electrical outlets or cables.
- Always use a grounded (3 terminal) extension cord.

## BEFORE STARTING

- Secure all quick-connect hose connections.
- Lever on the gun must be in the OFF position
- Tighten cap on the tank until snug.

## OPERATING INSTRUCTIONS

### Filling and Mixing

- To ensure adequate air pressure (head space) in the tank, only add 1/2 gallon of liquid to tank.
- Make sure unit is in the off position (switch on compressor) and unit is unplugged from wall connection.
- Unplug air connection and removed tank from case for filling.
- Return tank to carry case, align guides at bottom of tank.
- Mix all insecticides according to label directions.



### Pressurizing Tank

- Connect unit to wall outlet with grounded electric cord.
- Start compressor by depressing the on/off switch on top.
- Compressor maintains pressure in the tank, it cycles on and off during normal use.



### Operation: Air, Liquid, Air + Liquid (Fogging)

- Lever ON= Air only delivery
- Lever OFF, gun trigger depressed = Liquid only
- Lever ON, gun trigger depressed = Aerosol fogging



135 Region South Drive,  
Jackson, GA 30233  
678.688.5601

**Very Important:** Between liquid or air applications, move lever on valve to the off position. This will shut off the air supply to the gun and cause the compressor unit to shut off. When turned back on, the compressor unit will automatically restart. If continual air supply is required and valve is not turned off, leave cover open on case to insure proper ventilation.

**Adjustment of liquid application.** You may adjust your liquid application rate by adjusting the regulator found in the case. By turning the regulator either clockwise or counterclockwise you can adjust your spray from a very fine ULV fog to a heavy mist depending on what type of application is required.



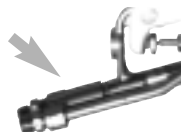
**Removal of Aerosol Unit from Case for Spot Applications.** Your PAS unit may be removed from the carry case for use in spot applications. Total spraying times will vary and can last up to 30 seconds of total spray time if valve on gun is turned off between applications. (Hint) If you would like to extend this spray time, just fill you tank approx 1/4 full with liquid. This will allow for more air space in the tank.

### This delivery system can be used to apply:

- » Air only to flush insects from infested harborages
- » Liquid only as a crack-and-crevice application
- » Air + Liquid produces aerosol for void and space spraying

## CARE AND MAINTENANCE

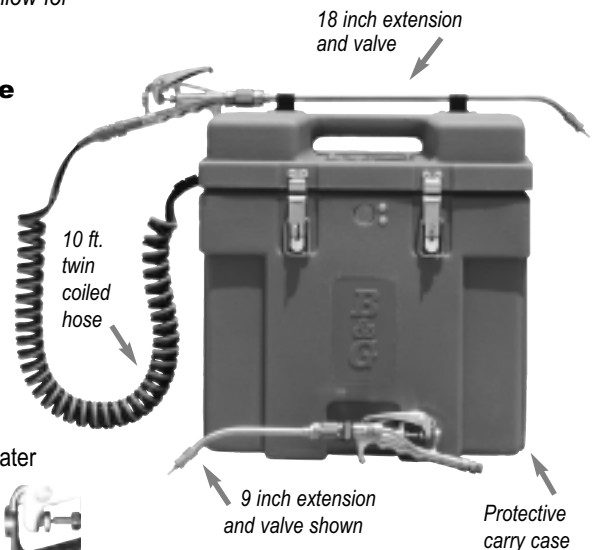
- Flush tank and extension with clean water
- Inspect hoses for wear
- Clean filter on liquid inlet of your gun on occasion
- Protect application tip when not in use.
- Store coiled hose in case when unit is not in use.



**WARNING:** Do not attempt to remove the extension of spray tip for any reason. If you are having any problems, please call B&G at 800.544.8811

SYMPTOMS	SOLUTIONS
Tank not holding pressure	» Tighten tank cap
Tank not getting pressure	» Inspect compressor hose » Inspect on/off switch of compressor » Inspect electrical outlet and power cord » Replace compressor
Sprays only air, no liquid or aerosol	» Tank is empty, add liquid insecticide » Turn lever on gun to 'ON' position » Make sure filter on gun is clean

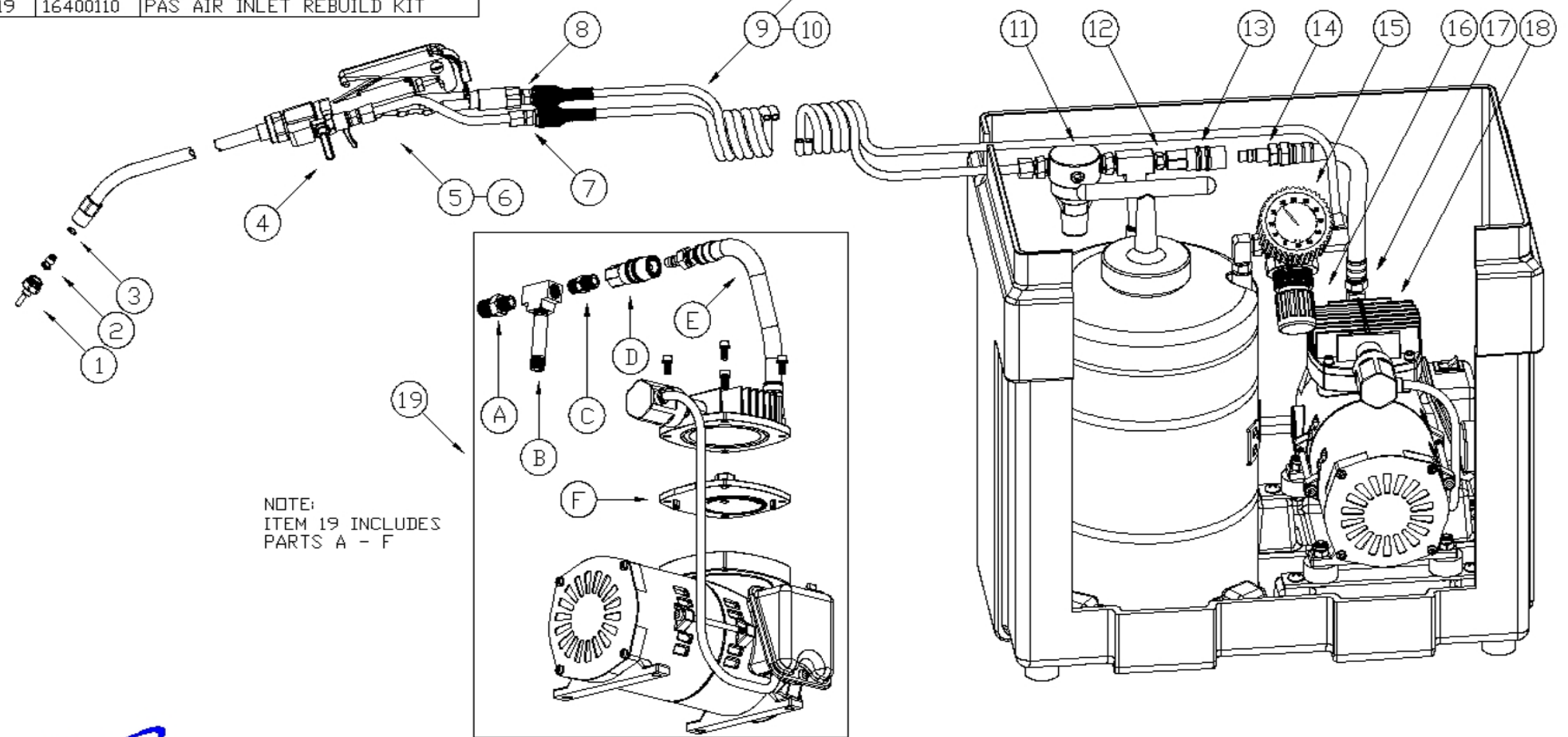
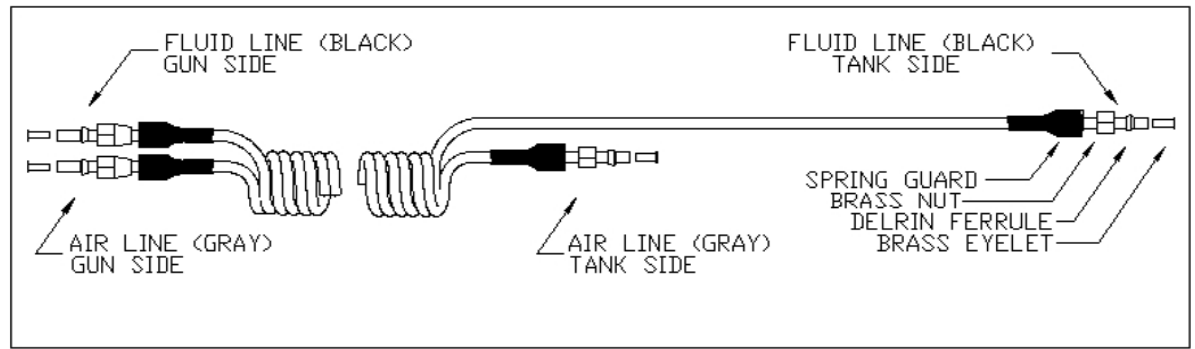
**NOTE:** On the 16290000 with 9 inch extension, the gun and extension is stored inside the case.



**HAVING PROBLEMS?**  
Call our toll free help line at  
800.544.8811

PAS PARTS LIST (100VAC)

ITEM	NUMBER	DESCRIPTION
1	16400129	AIR CAP NOZZLE
2	16400127	FLUID CAP INTERNAL MIX NOZZLE
3	16400128	O-RING, VITON #007
4	24000026	BALL VALVE
5	16400118	18" VALVE/EXTENSION ASSEMBLY
6	16400109	9" VALVE/EXTENSION ASSEMBLY
7	22067827	CONNECTOR 1/4 TUBE X 1/8 NPT
8	22067809	CONNECTOR 1/4 TUBE X 1/4 NPT
9	16401642	DUAL 10' HOSE ASSEMBLY
10	16401643	DUAL 15' HOSE ASSEMBLY
11	95127013	REGULATOR, NONADJUSTABLE
12	24040106	CHECK VALVE
13	22071829	FEMALE QUICK DISCONNECT
14	22071811	MALE QUICK DISCONNECT
15	22071635	GAUGE
16	95127014	REGULATOR, LIQUID
17	22030217	HOSE ASSY
18	16200033	AIR COMPRESSOR (100VAC)
19	16400110	PAS AIR INLET REBUILD KIT



NOTE:  
ITEM 19 INCLUDES  
PARTS A - F



135 Region South Drive, Jackson GA 30233  
678 688-5601 www.bgequip.com

DATE: 10/27/2014  
SHEET: 2 of 2